

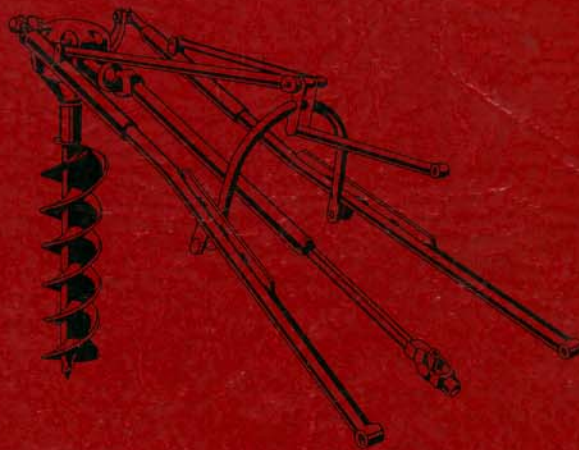


DANUSER

POST HOLE DIGGER

MODEL 22-11

MASTER PARTS BOOK



MAY 1949

DEARBORN MOTORS CORPORATION - DETROIT 3, MICHIGAN

www.ntractorclub.com

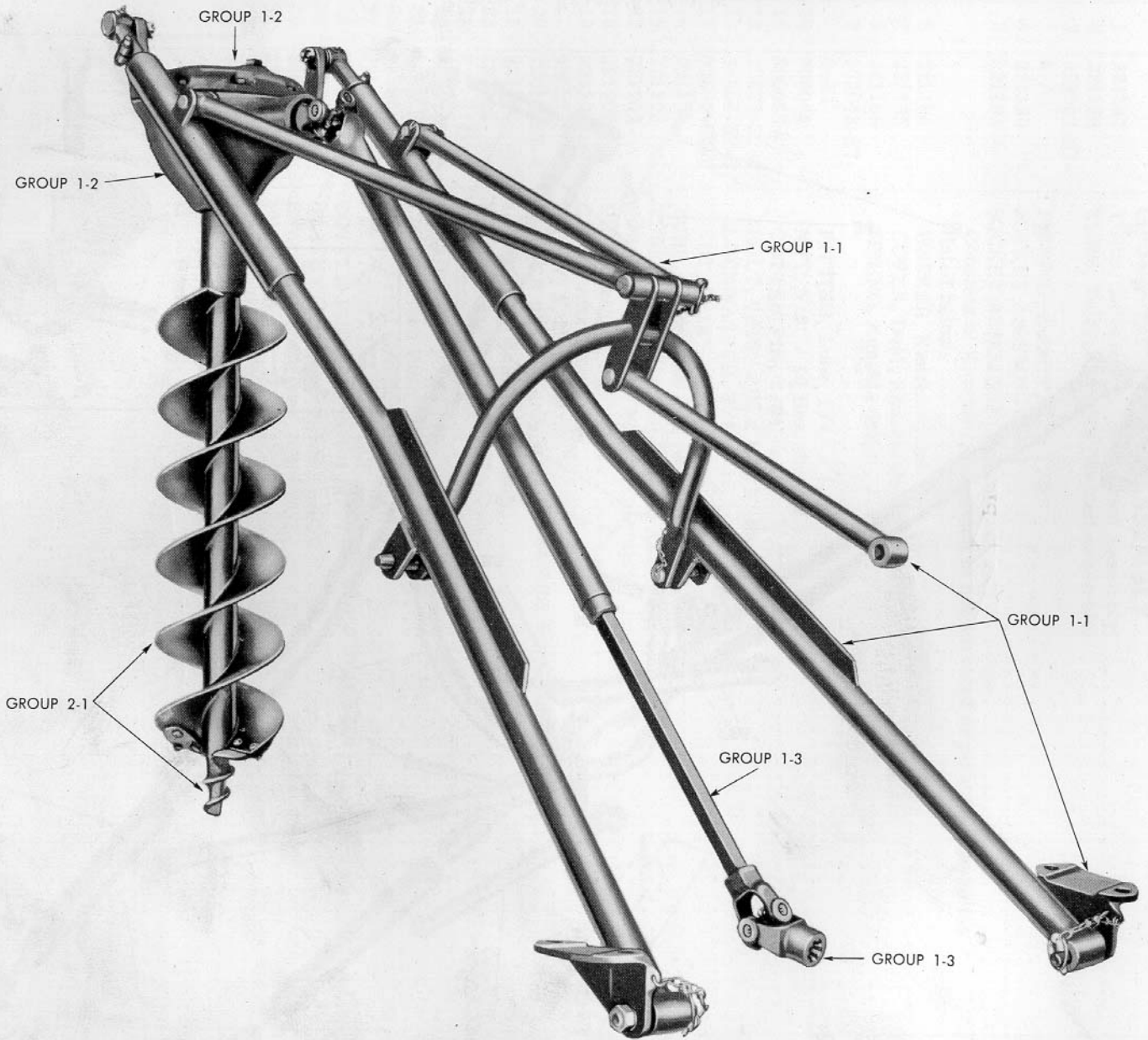


Figure 1 - Danuser Post Hole Digger

FIG. 5	PART NO.	NAME AND DESCRIPTION	QTY. REQ.
-----------	----------	----------------------	--------------

Group 2-1—AUGER ASSEMBLIES (Cont'd)

4	221245	EDGE, Plain Cutting - For 10" Auger	2
4	221246	EDGE, Serrated Cutting - For 10" Auger	2
4	221255	EDGE, Plain Cutting - For 12" Auger	2
4	221256	EDGE, Serrated Cutting - For 12" Auger	2
4	221292	EDGE, Plain Cutting - For 14" Auger	2
4	221293	EDGE, Serrated Cutting - For 14" Auger	2
4	221265	EDGE, Plain Cutting - For 18" Auger	3
4	221266	EDGE, Serrated Cutting - For 18" Auger	3
5	23410-S7-8	BOLT, 3/8" - 16 x 1" Carr. } Edge - For 9" to 14" Auger	6
5	23410-S7-8	BOLT, 3/8" - 16 x 1" Carr. } to - For 18" Auger	15
6	34097-S7-8	NUT, 3/8" - 16 Sq. } Flight - For 9" to 14" Auger	6
6	34097-S7-8	NUT, 3/8" - 16 Sq. } - For 18" Auger	15
7	23115-S7-8	BOLT, 7/16" - 14 x 4" Sq. Hd. } Auger to Spindle	1
8	33801-S7-8	NUT, 7/16" - 14 Sq. }	

Group 2—DANUSER POST HOLE DIGGER AUGERS

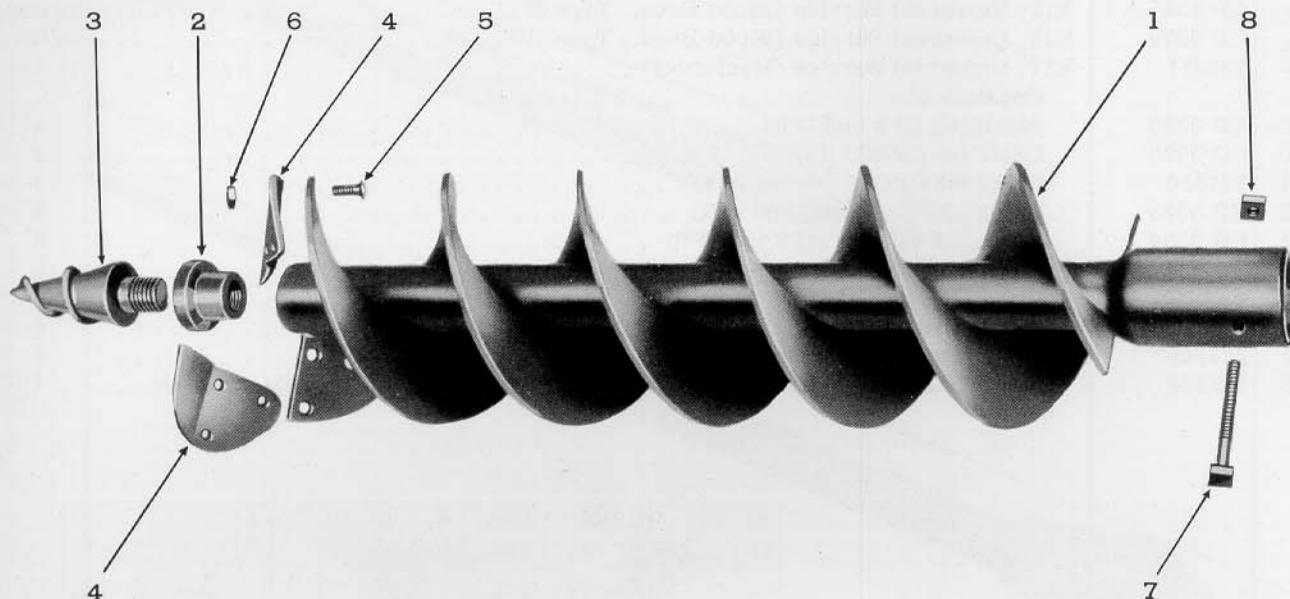


Figure 5 - Auger Assemblies

FIG. 5	PART NO.	NAME AND DESCRIPTION	QTY. REQ.
Group 2-1—AUGER ASSEMBLIES			
		Model 22-14 Auger Assembly, with Welded Plain Edge	4"
		Model 22-15 Auger Assembly, with Welded Plain Edge	6"
		Model 22-16 Auger Assembly, with Replaceable Plain Edge	9"
		Model 22-17 Auger Assembly, with Replaceable Serrated Edge	9"
		Model 22-18 Auger Assembly, with Replaceable Plain Edge	10"
		Model 22-19 Auger Assembly, with Replaceable Serrated Edge	10"
		Model 22-20 Auger Assembly, with Replaceable Plain Edge	12"
		Model 22-21 Auger Assembly, with Replaceable Serrated Edge	12"
		Model 22-22 Auger Assembly, with Replaceable Plain Edge	14"
		Model 22-23 Auger Assembly, with Replaceable Serrated Edge	14"
		Model 22-24 Auger Assembly, with Replaceable Plain Edge	18"
		Model 22-25 Auger Assembly, with Replaceable Serrated Edge	18"
1	--	AUGER ASSEMBLY (Order under the above Model Numbers)	1
		Consists of Auger which is not serviced separately plus items listed below:	
2	221440	ADAPTER, Auger Tip - For 4" Auger	1
2	221442	ADAPTER, Auger Tip - For 6" Auger and Up	1
3	221441*	TIP, Auger, Screw-in Type - For 4" Auger	1
3	221443*	TIP, Auger, Screw-in Type - For 6" Auger and Up	1
4	221271	EDGE, Plain Cutting - For 4" Auger	2
4	221281	EDGE, Plain Cutting - For 6" Auger	2
4	221237	EDGE, Plain Cutting - For 9" Auger	2
4	221238	EDGE, Serrated Cutting - For 9" Auger	2

*NOTE: The old style Auger Tip is secured by the process of welding. Therefore, when it is necessary to replace Auger Tip, use the corresponding Auger Tip Adapter.

Group 1—DANUSER POST HOLE DIGGER

Model 22-11

FIG. 2	PART NO.	NAME AND DESCRIPTION	QTY. REQ.
Group 1-1—FRAME ASSEMBLY			
1	221187	TUBE, Telescopic, LH (Welded Assembly)	1
2	221188	TUBE, Telescopic, RH (Welded Assembly)	1
3	353043-S7-8-A1	FITTING, Lube, 1/4" x 1/2"	2
4	221180	SOCKET ASSEMBLY, LH	1
5	221181	SOCKET ASSEMBLY, RH	1
Consists of Knuckle-Joint which is not serviced separately plus items listed below:			
6	221184	WASHER, Knuckle-Joint	4
7	221185	COVER, Dust, Knuckle-Joint	2
8	221186	SPRING, Knuckle-Joint	2
9	353043-S7-8-A1	FITTING, Lube, 1/4" x 1/2"	2
10	300064	NUT, 5/8" - 16 Hex. Slotted } Knuckle-Joint	2
11	300063	COTTER PIN, 7/64" x 1" }	
12	20877-S7-8	BOLT, 7/16" - 20 x 1-7/8" Hex. } Socket to Tube	2
13	34808-S7-8	LOCKWASHER, 7/16" }	
14	33802-S7-8	NUT, 7/16" - 20 Hex. }	
15	221198	TUBE, Suspension, LH (Welded Assembly)	1
16	221193	TUBE, Suspension, RH (Welded Assembly)	1
17	221202	YOKE, Suspension (Welded Assembly)	1
18	221208	PIN, Attaching	2
19	221209	CHAIN, Attaching Pin	2
--	92057-S7	SCREW, 3/8" Drive } Attaching Pin Chain	2
20	72019-S7-8	COTTER PIN, 3/16" x 3/4" }	
21	221267	LINK, Rear (Welded Assembly)	2
22	221225	PIN, Hinge, 3/4" x 5-7/8"	1
23	2 N-574	PIN, Linch	3
24	2 N-575	RING, Snap	3
25	221209	CHAIN, Linch Pin	3
26	221220	LINK, Front (Welded Assembly)	1
27	221224	PIN, Clevis, 3/4" x 2-1/2" } Front and Rear Link	3
28	72055-S7-8	COTTER PIN, 3/16" x 1-1/4" }	
29	230061	BRACKET, Stabilizer, LH	1
30	230043	BRACKET, Stabilizer, RH	1
31	221218	PIN, Linch	2
32	34811-S7-8	LOCKWASHER, 5/8" } Stabilizer Bracket Linch Pin	2
33	33850-S7-8	NUT, 5/8" - 18 Hex. }	

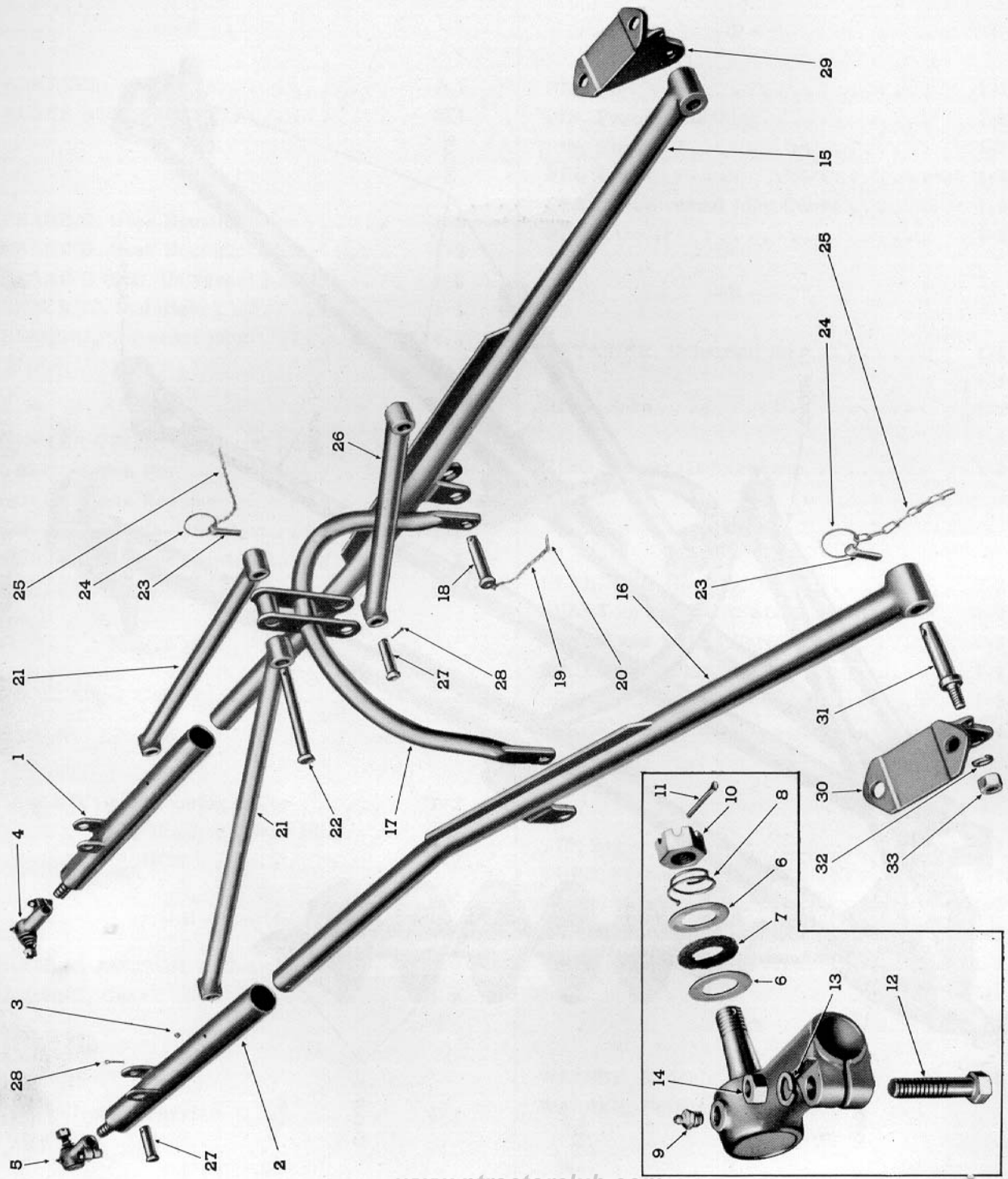


Figure 2 - Frame Assembly

DANUSER *Post Hole Digger*

MODEL 22-11

FIG. 3	PART NO.	NAME AND DESCRIPTION	QTY. REQ.
		Group 1-2—GEAR HOUSING ASSEMBLY	
-	221327	HOUSING ASSEMBLY, Gear	1
		Consists of:	
1	221325	HOUSING, Gear	1
2	221321	GEAR and PINION (Matched Set)	1
3	300317	BOLT, 3/8" - 24 x 7/8" Hex. Drld. Hd. - Gear to Spindle	12
3A	221146	WASHER, 1-1/2" Flat	} Pinion to Universal Joint
4	34001-S7-8	NUT, 3/4" - 16 Hex. Slotted	
5	300063	COTTER PIN, 7/64" x 1"	1
6	8M 4630	CONE, Inner Bearing	1
7	8A 4628	CUP, Inner Bearing	1
8	221142	CONE, Outer Bearing	1
9	221138	CUP, Outer Bearing	1
10	221144	SEAL, Oil	1
11	221145	RING, Snap	1
12	221320	SPINDLE	1
13	221168	SEAL, Oil	1
14	BB 4222	CUP, Lower Bearing	1
15	BB 4221-B	CONE, Lower Bearing	1
16	68 4222	CUP, Upper Bearing	1
17	68 4221	CONE, Upper Bearing	1
18	221322	COVER, Gear Housing	1
19	300067	BOLT, 7/16" - 20 x 1" Hex. Hd. - Cover to Housing	8
20	221326	GASKET, Cover	1
21	221323	PLUG, Cover	1
22	221324	GASKET, Cover Plug	1

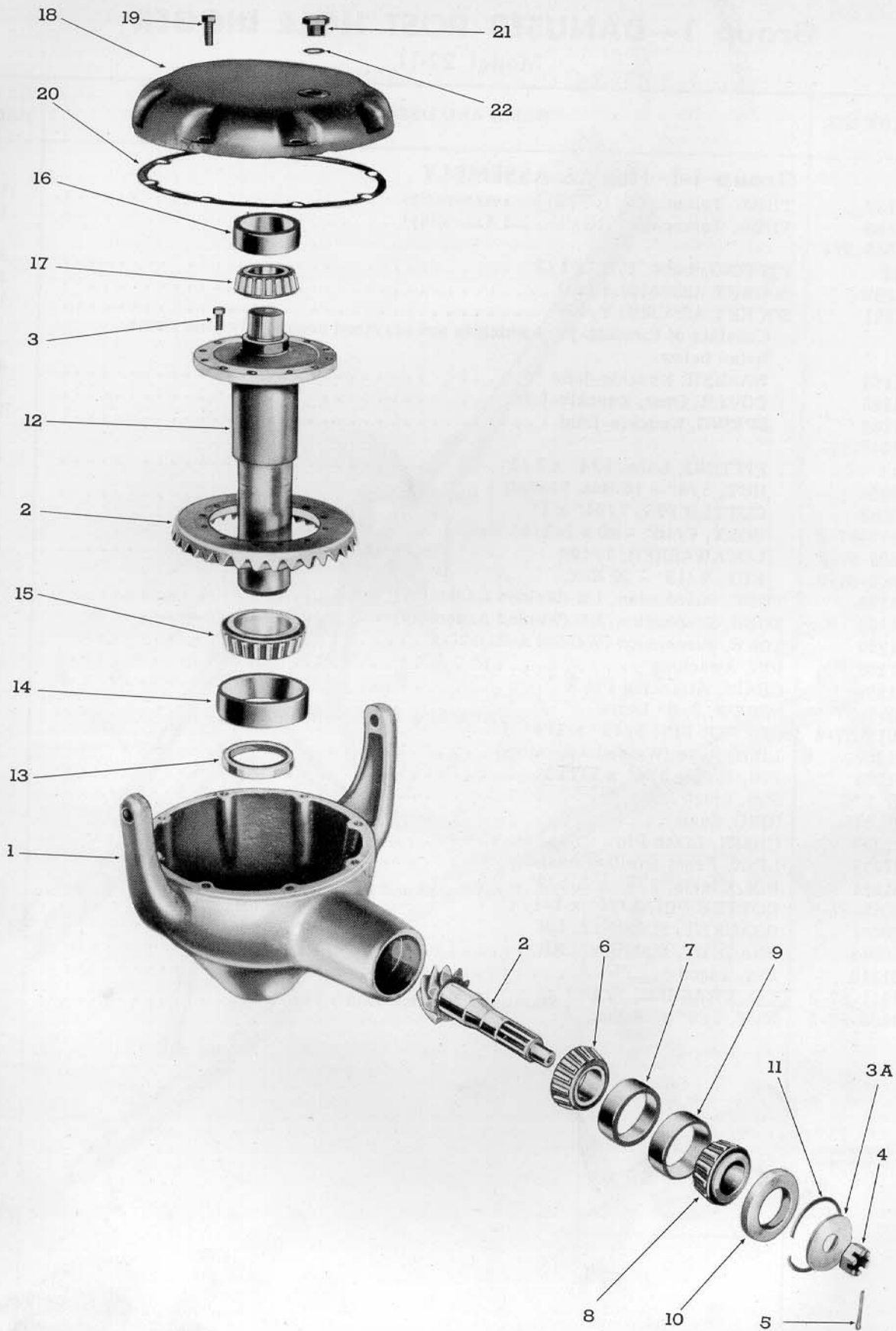


FIG. 4	PART NO.	NAME AND DESCRIPTION	QTY. REQ.
Group 1-3—POWER DRIVE PARTS (Cont'd)			
--	CP 3347	KIT, Universal Service (Blood Bros., Type IFS)	As Req.
--	CP 3379	KIT, Universal Service (Blood Bros., Type IFR)	As Req.
--	221351	KIT, Universal Service (Mechanics)	As Req.
Consists of:			
9	CP 3329	BUSHING (IFS and IFR)	4
10	CP 3330	CENTER CROSS (IFS and IFR)	1
11	221310	CENTER CROSS (Mechanics)	1
12	CP 3333	WASHER, Cork (IFS and IFR)	4
13	CP 3334	RETAINER, Cork (IFS and IFR)	4
14	CP 3332	SCREW, Self Tapping - Cover Plate (IFS)	8
15	CP 3331	PLATE, Cover (IFS)	4
16	CP 3369	RING, Snap (IFR)	4
17	221309	RING, Snap (Mechanics)	4
18	221358	BEARING (Kit) (Includes Bearing Cup, Rollers and Retainers) (Mechanics) . .	4

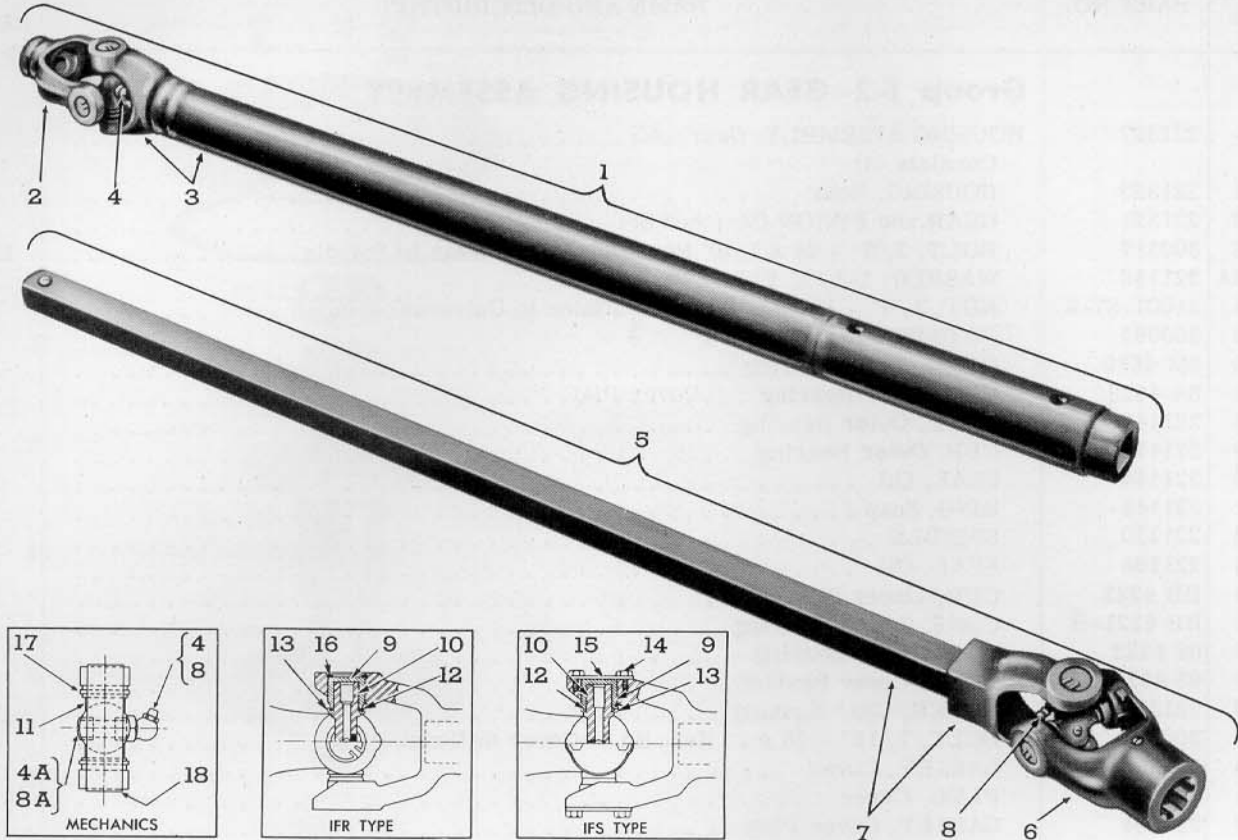


Figure 4 - Power Drive Parts

FIG. 4	PART NO.	NAME AND DESCRIPTION	QTY REQ.
Group 1-3—POWER DRIVE PARTS			
1	221353	TUBE and UNIVERSAL ASSEMBLY (Blood Bros., Type IFR)	1
-	221304	TUBE and UNIVERSAL ASSEMBLY (Mechanics)	1
Consists of following; plus items listed in corresponding Service Kit:			
2	221344	YOKE, Spline, 1-3/16" (IFR)	1
-	221335	YOKE, Spline, 1-3/16" (Mechanics)	1
3	221354	TUBE and YOKE (Welded Assembly) (IFR)	1
-	221336	TUBE and YOKE (Welded Assembly) (Mechanics)	1
4	353031-S7-8	FITTING, Lube, 1/8" x 15/16", 67-1/2° (IFR and Mechanics)	1
4A	300113	PLUG, Pipe, 1/8" x 5/16" (Mechanics)	1
5	221355	SHAFT and UNIVERSAL ASSEMBLY (Blood Bros., Type IFR)	1
-	221303	SHAFT and UNIVERSAL ASSEMBLY (Mechanics)	1
Consists of following; plus items listed in corresponding Service Kit:			
6	221347	YOKE, Spline, 1-1/8" (IFR)	1
-	221340	YOKE, Spline, 1-1/8" (Mechanics)	1
7	221356	SHAFT and YOKE (Welded Assembly) (IFR)	1
-	221341	SHAFT and YOKE (Welded Assembly) (Mechanics)	1
8	353031-S7-8	FITTING, Lube 1/8" x 15/16", 67-1/2° (IFR and Mechanics)	1
8A	300113	PLUG, Pipe, 1/8" x 5/16" (Mechanics)	1
-	23056-S7-8	BOLT, 1/4" - 20 x 2-1/4" Sq. Hd. } U-Joint to Tractor PTO Shaft	1
-	34095-S7-8	NUT, 1/2" - 20 Sq. }	